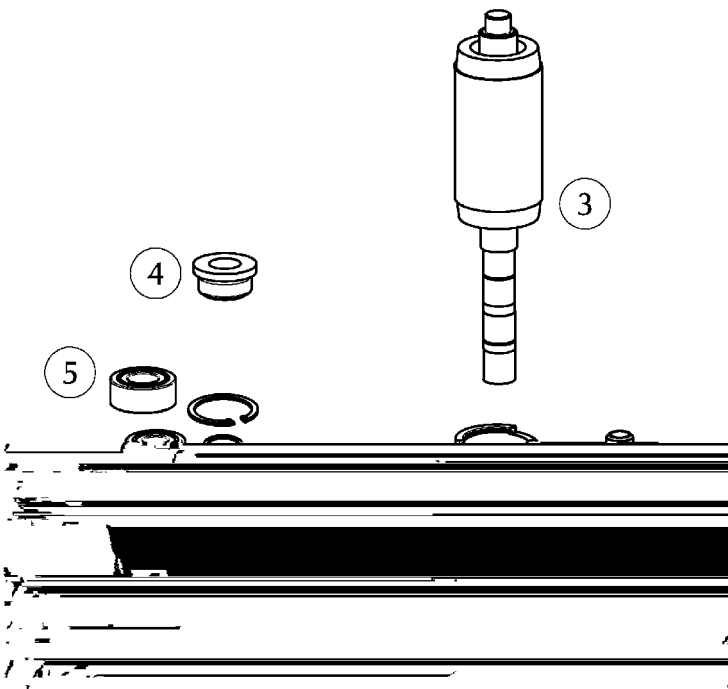
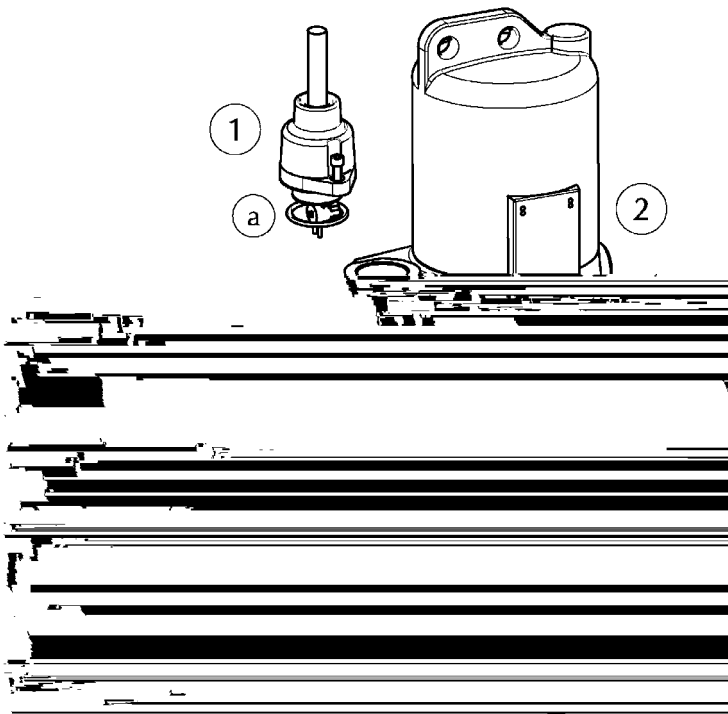


| | | |
|--------------------|-------------------|----------------|
| Niveauerfassung | Level control | JP47306 |
| Klemmflansch | Clamping flange | JP43713 |
| Überschiebmuffe | Collar | JP46814 |
| Wartungsdeckel | Service lid | JP42798 |
| Steuerung | Control unit | |
| 1210/4, 1215/4 | | JP47286 |
| 1225/4, 1225/2 | | JP45786 |
| 1235/2 | | JP45787 |
| Steuerungsplatine | Control board | JP47304 |
| Steckdichtung | Plug in seal | JP45099 |
| Behälter | Tank | JP44862 |
| Pumpenlüftung | Pump ventilation | JP43710 |
| Auftriebssicherung | Anti floating | JP43716 |
| Auftriebssicherung | Anti floating | JP43709 |
| Elast. Verbindung | Elastic connector | JP43705 |
| Gehäuse Klappe | Housing valve | JP46813 |
| Pumpe | Pump | |
| 1210/4 | | JP45778 |
| 1215/4 | | JP45779 |
| 1225/4 | | JP45780 |
| 1225/2 | | JP48826 |
| 1235/2 | | JP48827 |
| Flansch | Flange | JP43706 |
| Doppelklappe | Duplex flap | JP46812 |
| Basisplatte | Base plate | JP43714 |
| Dichtband | Sealing tape | JP47966 |

JUNG PUMP



JUNG PUMP



| | | |
|-------------------|------------------|----------------|
| Leitung | Cable | JP43717 |
| Stator + Gehäuse | Stator + Housing | |
| 25/2 | | JP44008 |
| 35/2 | | JP46211 |
| Rotorwelle | Rotor shaft | |
| 25/2 | | JP48339 |
| 35/2 | | JP48340 |
| Gleitringdichtung | Mechanical seal | JP46567 |
| Lagersatz | Bearing set | JP46214 |
| Lagerschild | Bearing housing | JP43726 |
| Dichtungssatz | Seal set | JP46807 |
| LaufRad | Impeller | |
| 25/2 | | JP48359 |
| 35/2 | | JP48360 |
| Wellenabdeckung | Shaft cover | JP47043 |
| Motorabdichtung | Motor seals | JP46806 |
| Schraubensatz | Screw set | JP47291 |
| Ölschraube | Oil screw | JP46046 |

| | | |
|----------|-------------------|----------------|
| a | 10x O-Ring 38x3,5 | JP48109 |
| c | 10x O-Ring 10x2,5 | JP48088 |